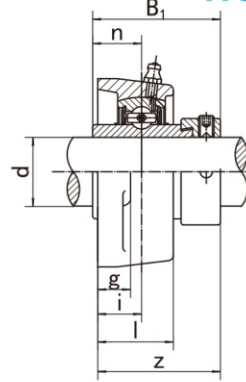
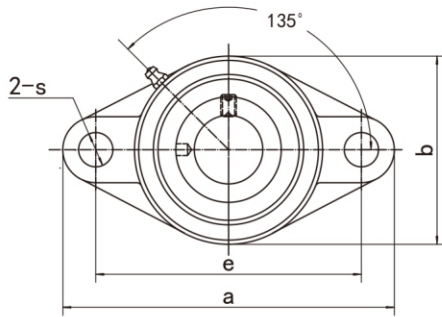


Flange Units (Oval)

HCFL2 (Normal-duty)



Unit NO.	Dimensions (mm / in.)											Bolt Size mm/in.	Bearing No.	Housing No.	Weight (kg)
	d	a	e	i	g	l	s	b	z	B ₁	n				
HCFL204	20	113	90	15	11	25.5	12	60	41.6	43.7	17.1	M10	HC204	FL204	0.46
204-12	3/4	4-7/16	3-35/64	19/32	7/16	1	15/32	2-3/8	1-41/64	1.720	0.673	3/8	HC204-12		0.46
HCFL205	25	130	99	16	13	27	16	68	42.9	44.4	17.5	M14	HC205	FL205	0.63
205-13	13/16												HC205-13		0.68
205-14	7/8	5-1/8	3-57/64	5/8	1/2	1-1/16	5/8	2-11/16	1-11/16	1.748	0.689	1/2	HC205-14		0.67
205-15	15/16												HC205-15		0.65
205-16	1												HC205-16		0.63
HCFL206	30	148	117	18	13	31	16	80	48.1	48.4	18.3	M14	HC206	FL206	0.90
206-17	1-1/16												HC206-17		0.95
206-18	1-1/8	5-13/16	4-39/64	45/64	1/2	1-7/32	5/8	3-5/32	1-57/64	1.906	0.720	1/2	HC206-18		0.92
206-19	1-3/16												HC206-19		0.90
206-20	1-1/4												HC206-20		0.87
HCFL207	35	161	130	19	14	34	16	90	51.3	51.1	18.8	M14	HC207	FL207	1.24
207-20	1-1/4												HC207-20		1.31
207-21	1-5/16	6-11/32	5-1/8	3/4	35/64	1-11/32	5/8	3-35/64	2-1/64	2.012	0.740	1/2	HC207-21		1.27
207-22	1-3/8												HC207-22		1.24
207-23	1-7/16												HC207-23		1.22
HCFL208	40	175	144.0	21	14	36	16	100	55.9	56.3	21.4	M14	HC208	FL208	1.56
208-24	1-1/2	6-7/8	5-43/64	53/64	35/64	1-13/32	5/8	3-15/16	2-13/64	2.217	0.843	1/2	HC208-24		1.60
208-25	1-9/16												HC208-25		1.56
HCFL209	45	188	148	22	15	38	19	108	56.9	56.3	21.4	M16	HC209	FL209	1.88
209-26	1-5/8												HC209-26		1.99
209-27	1-11/16	7-13/32	5-53/64	55/64	19/32	1-1/2	3/4	4-1/4	2-15/64	2.217	0.843	5/8	HC209-27		1.94
209-28	1-3/4												HC209-28		1.90
HCFL210	50	197	157	22	15	40	19	115	60.1	62.7	24.6	M16	HC210	FL210	2.21
210-29	1-13/16												HC210-29		2.36
210-30	1-7/8	7-3/4	6-3/16	55/64	19/32	1-37/64	3/4	4-17/32	2-23/64	2.469	0.969	5/8	HC210-30		2.30
210-31	1-15/16												HC210-31		2.24
210-32	2												HC210-32		2.18
HCFL211	55	224	184	25	18	43	19	130	68.6	71.4	27.8	M16	HC211	FL211	3.06
211-32	2												HC211-32		3.36
211-33	2-1/16	8-13/16	7-1/4	63/64	23/32	1-11/16	3/4	5-1/8	2-45/64	2.811	1.094	5/8	HC211-33		3.18
211-34	2-1/8												HC211-34		3.11
211-35	2-3/16												HC211-35		3.03
HCFL212	60	250	202	29	18	48	23	140	75.8	77.8	31	M20	HC212	FL212	3.97
212-36	2-1/4												HC212-36		3.99
212-37	2-5/16	9-27/32	7-16/64	1-9/64	23/32	1-7/8	29/32	5-1/2	2-63/64	3.063	1.220	3/4	HC212-37		4.04
212-38	2-3/8												HC212-38		3.97
212-39	2-7/16												HC212-39		3.96
HCFL213	65	258	210	30	22	50	23	155	81.6	85.7	34.1	M20	HC213	FL213	5.10
213-40	2-1/2	10-5/32	8-17/64	1-3/16	7/8	1-31/32	29/32	6-3/32	3-7/32	3.374	1.343	3/4	HC213-40		5.20
213-41	2-9/16												HC213-41		5.09
HCFL214	70	265	216	31	22	54	23	160	82.6	85.7	34.1	M20	HC214	FL214	5.53
214-42	2-5/8												HC214-42		5.47
214-43	2-11/16	10-7/16	8-1/2	1-7/32	7/8	2-1/8	29/32	6-5/16	3-1/4	3.374	1.343	3/4	HC214-43		5.66
214-44	2-3/4												HC214-44		5.54
HCFL215	75	275	225	34	22	56	23	165	88.8	92.1	37.3	M20	HC215	FL215	6.09
215-45	2-13/16												HC215-45		6.39
215-46	2-7/8	10-13/16	8-55/64	1-11/32	7/8	2-7/32	29/32	6-1/2	3-1/2	3.626	1.469	3/4	HC215-46		6.26
215-47	2-15/16												HC215-47		6.13
215-48	3												HC215-48		5.99
HCFL216	80	290	233	34	22	58	25	180	91.9	95.2	37.3	M22	HC216	FL216	7.59
216-49	3-1/16												HC216-49		7.79
216-50	3-1/8	11-13/32	9-11/64	1-11/32	7/8	2-9/32	63/64	7-3/32	3-5/8	3.748	1.469	7/8	HC216-50		7.65
216-51	3-3/16												HC216-51		7.50
HCFL217	85	305	248	36	24	63	25	190	86.4	73.8	23.4	M22	HC217	FL217	8.52
217-52	3-1/4												HC217-52		8.71
217-53	3-5/16	9-27/32	5-51/64	23/32	1-25/32	7.0866	29/32	7-15/32	3-13/32	2.906	0.921	7/8	HC217-53		8.59
217-55	3-7/16												HC217-55		8.34
HCFL218	90	320	265	40	24	68	25	205	88.1	72.6	24.5	M22	HC218	FL218	9.95
218-56	3-1/2	12-19/32	10-7/16	1-37/64	15/16	2-11/16	63/64	8-1/16	8-15/32	3.7795	1.5630	7/8	HC218-56		10.04