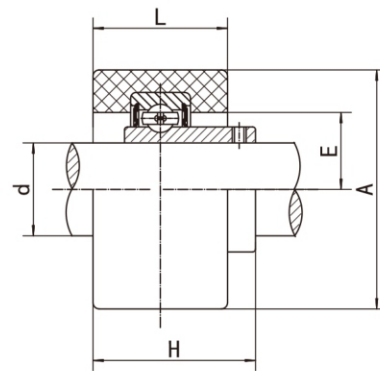
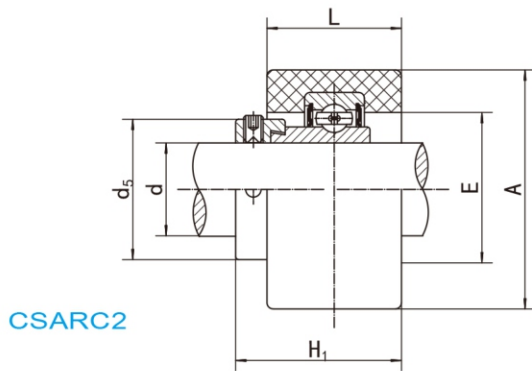


CSARC2
(SA2-Fitted)

Rubber Mounted Units
(Light duty)

CSBRC2
(SB2-Fitted)



Unit No.	Dimensions (mm / in.)						Bearing No.	Rubber Ring NO.	Weight (kg)
	d	A	L	E	H ₁	d ₅			
CSARC 201	12	64.3	25.4	34.9	34.9	28.6	CSA201	RC-3	0.20
201-8	1/2	2-17/32	1	1-3/8	1-3/8	1-1/8	CSA201-8		
CSARC 202	15	64.3	25.4	34.9	34.9	28.6	CSA202	RC-3	0.20
202-10	5/8	2-17/32	1	1-3/8	1-3/8	1-1/8	CSA202-10		
CSARC 203	17	64.3	25.4	34.9	34.9	28.6	CSA203	RC-3	0.20
203-11	11/16	2-17/32	1	1-3/8	1-3/8	1-1/8	CSA203-11		
CSARC 204	20	64.3	25.4	39.7	36.1	33.3	CSA204	RC-4	0.24
204-12	3/4	2-17/32	1	1-9/16	1-27/64	1-5/16	CSA204-12		
CSARC 205	25	64.3	25.4	45.2	36.1	38.1	CSA205	RC-5	0.26
205-14	7/8						CSA205-14		
205-15	15/16	2-17/32	1	1-25/32	1-27/64	1-1/2	CSA205-15		
205-16	1						CSA205-16		
CSARC 206	30	79.0	27.0	54.0	40.2	44.5	CSA206	RC-6	0.36
206-17	1-1/16						CSA206-17		
206-18	1-1/8	3-7/64	1-1/16	2-1/8	1-37/64	1-3/4	CSA206-18		
206-19	1-3/16						CSA206-19		

Unit No.	Dimensions (mm / in.)						Bearing No.	Rubber Ring NO.	Weight (kg)
	d	A	L	E	H				
CSBRC 201	12	64.3	25.4	34.9	29		CSB201	RC-3	0.16
201-8	1/2	2-17/32	1	1-3/8	1-9/64		CSB201-8		
CSBRC 202	15	64.3	25.4	34.9	29		CSB202	RC-3	1.61
202-10	5/8	2-17/32	1	1-3/8	1-9/64		CSB202-10		
CSBRC 203	17	64.3	25.4	34.9	29		CSB203	RC-3	0.16
203-11	11/16	2-17/32	1	1-3/8	1-9/64		CSB203-11		
CSBRC 204	20	64.3	25.4	39.7	31		CSB204	RC-4	0.22
204-12	3/4	2-17/32	1	1-9/16	1-7/32		CSB204-12		
CSBRC 205	25	64.3	25.4	45.2	32.5		CSB205	RC-5	0.24
205-14	7/8						CSB205-14		
205-15	15/16	2-17/32	1	1-25/32	1-9/32		CSB205-15		
205-16	1						CSB205-16		
CSBRC 206	30	79.0	27.0	54.0	35.5		CSB206	RC-6	0.32
206-17	1-1/16						CSB206-17		
206-18	1-1/8	3-7/64	1-1/16	2-1/8	1-13/32		CSB206-18		
206-19	1-3/16						CSB206-19		