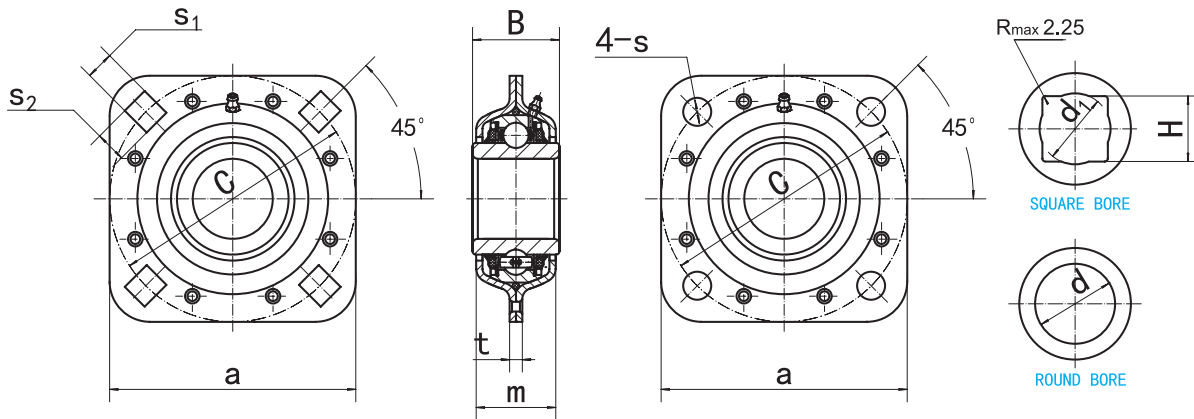


Disk Harrow Units



Bearing NO.	Dimensions (mm / in.)											Dynamic load ratings (N)	Static load ratings (N)
	d	d ₁	H	a	B	m	t	C	s	S ₁	S ₂		
ST209-1-1/8	...	32.0	29.972	127.0	42.8	42	6	127.0	13.5	13.5	17.45	32700	20900
ST209-30S	...	34.5	31.353	127.0	42.8	42	6	127.0	13.5	13.5	17.45	32700	20900
ST209-1-1/4	...	34.5	32.766	127.0	42.8	42	6	127.0	13.5	13.5	17.45	32700	20900
ST491B	38.860	127.0	42.8	42	6	127.0	13.5	13.5	17.45	32700	20900
ST209-40R	40.878	127.0	42.8	42	6	127.0	13.5	13.5	17.45	32700	20900
ST491A	45.000	127.0	42.8	42	6	127.0	13.5	13.5	17.45	32700	20900
ST209-45R	45.340	127.0	42.8	42	6	127.0	13.5	13.5	17.45	32700	20900
ST491AD	45.000	121.0	46.0	42	6	121.0	13.5	32700	20900
ST211-1-1/2	...	42.0	38.890	139.7	50.8	46	8	139.7	13.5	13.5	17.45	43300	29200
ST211-40S	...	43.1	40.878	139.7	50.8	46	8	139.7	13.5	13.5	17.45	43300	29200
ST211-50R	50.400	139.7	50.8	46	8	139.7	13.5	13.5	17.45	43300	29200
ST211-55R	55.575	139.7	50.8	46	8	139.7	13.5	13.5	17.45	43300	29200
ST211-1-3/4	45.212	139.7	55.6	46	8	139.7	13.5	13.5	17.45	43300	29200
ST211-2-3/16	55.575	139.7	55.6	46	8	139.7	13.5	13.5	17.45	43300	29200
ST211-1-15/16	49.238	139.7	69.9	46	8	139.7	13.5	13.5	17.45	43300	29200
ST211	55.000	139.7	55.6	46	8	139.7	13.5	13.5	17.45	43300	29200
ST740	55.562	139.7	55.6	45	7	139.7	13.5	13.5	17.45	43300	29200